

G Series R2.0 Spare Parts List

G Series Models Spares Parts Lists

GK420d

GK420t

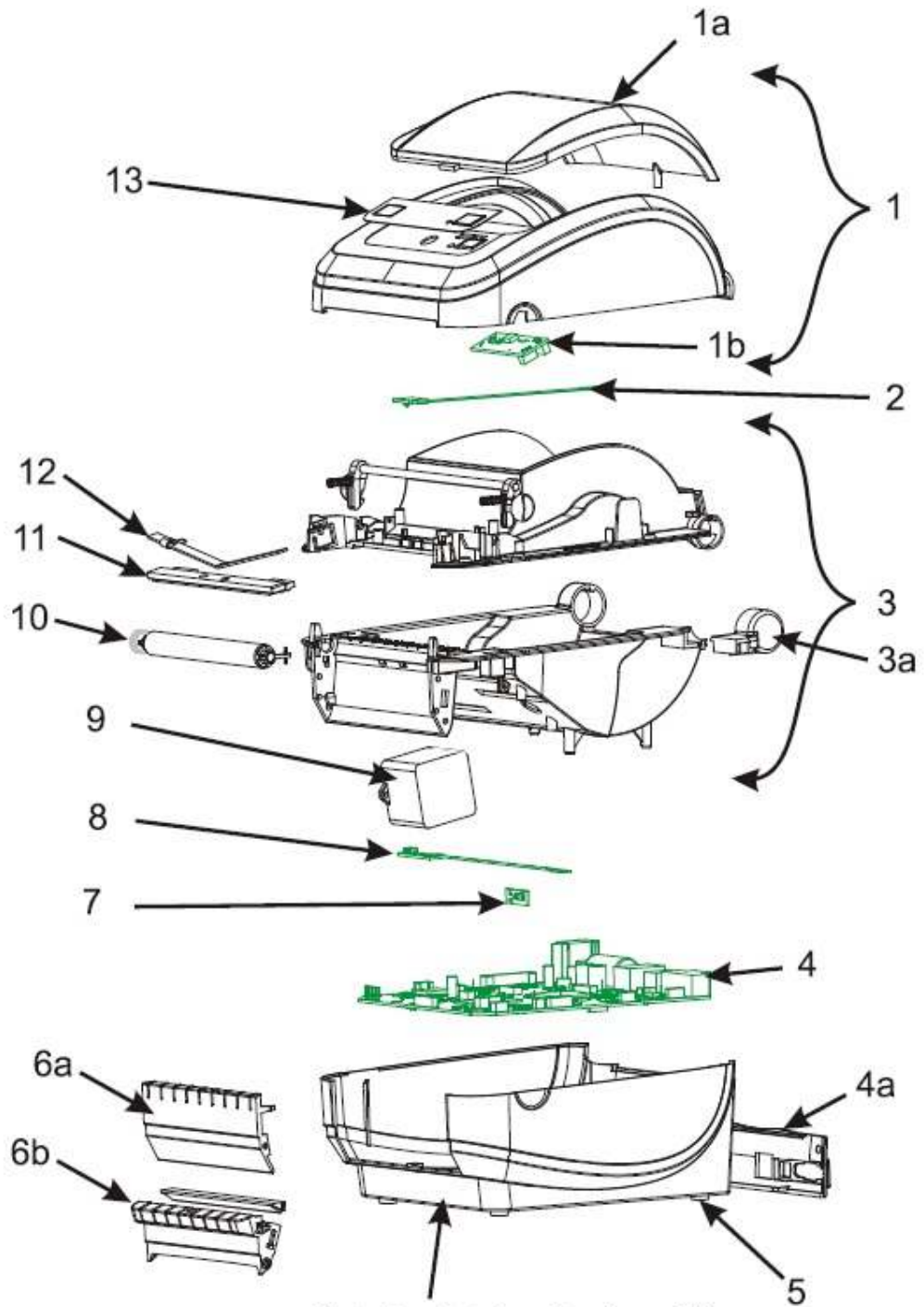
GX420d

GX420t

GX430t

Spare Parts List Desktop Printers

GK420d: GK42-2X2XXX-XXX (The "2" in the 8th digit is the key designator for R2.0 on all G-series)



Note: the printer base is only available through the Zebra Repair Depot.

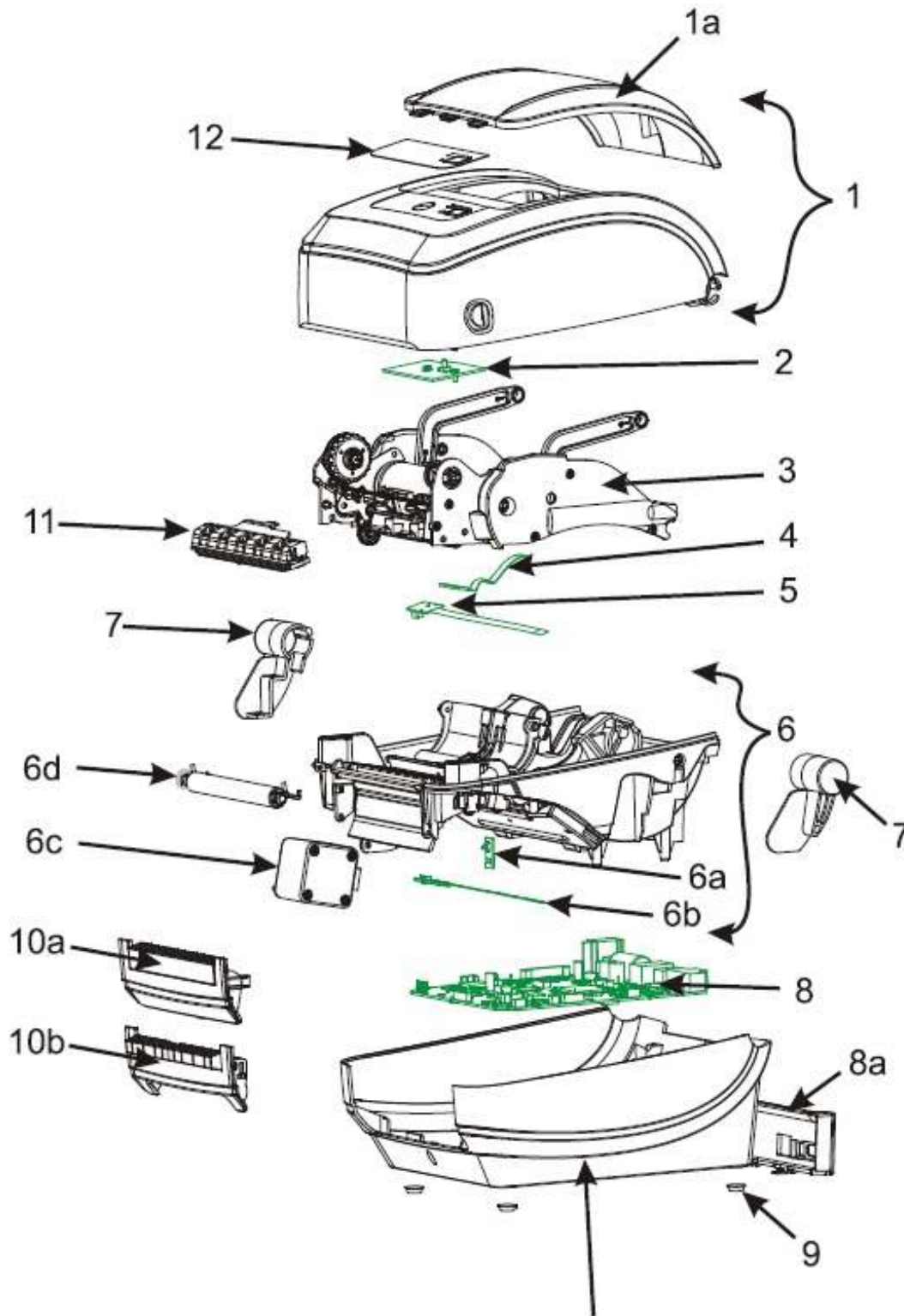
Spare Parts List Desktop Printers

GK420d: GK42-2X2XXX-XXX (The "2" in the 8th digit is the key designator for R2.0 on all G-series)

Item	Description	Part Number
1	Cover Assy (Direct Thermal) (includes Media Window)	105934-005
1a	Media Window (Direct Thermal)	105934-001
1b	Feed Switch (Direct Thermal)	105934-003
2	Upper Gap Sensor, Fixed (Direct Thermal)	P1027135-001
3	Print Mech. Fxd Sensor (DT) (inc Hinge, PH Cables, Feed Switch Cable)	P1027135-005
3a	Cover Hinge (Direct Thermal)	105934-047
4	GK Main Logic Board, USB/Serial, ZBI	P1027135-015
4a	Back Panel, USB/Serial/Parallel (Direct Thermal)	P1027135-019
4	GK Main Logic Board, USB/Ethernet, ZBI	P1027135-016
4a	Back Panel, USB/Ethernet (Direct Thermal)	105934-074
	Interface Fuse, 1A	105934-076
5	Rubber Foot (set of 5)	105934-024
6a	Front Bezel, Std (Direct Thermal)	105934-025
6b	Front Bezel, Dispenser (Direct Thermal)	P1027135-044
7	Head Up Sensor (Direct Thermal)	105934-041
8	Gap/Blackline Sensor, Fixed (Direct Thermal)	P1027135-011
9	Motor Assy., 203dpi (Direct Thermal)	P1027135-041
10	Platen, Std (Direct Thermal)	P1027135-039
	Platen Bearings (Direct Thermal)	105934-059
11	Printhead, 203dpi (Direct Thermal)	105934-037
12	Printhead Spring/Clip (Direct Thermal)	105934-040
13	Nameplate, GK420d (Direct Thermal)	105934-060
Not Shown	Shipping Pack – Packaging for shipping the printer (Direct Thermal)	105934-150
	Users CD-ROM	P1027135-049
	Power Supply, 60W C13 with US & Euro Cords	105934-053
	Power Cord, U.S. 120V IEC320C13 (set of 5)	105950-014
	Power Cord, Euro 220V IEC320C13 (set of 5)	105950-015
	Power Cord, U.K. 240V IEC320C13 (set of 5)	105950-030
	Power Cord, Australia 240V IEC320C13 (set of 5)	105950-029
	Power Cord,China 220V C13 (set of 5)	105950-078
	Power Cord, Japan 125V JAPAN C13 (set of 5)	105950-079
	Power Cord, 220V Argentina C13 (set of 5)	105950-080
	Power Cord,10A NBR 14136, Brazil (set of 5)	P1033401
	CD-ROM, Service, G-Series	105950-087

Spare Parts List Desktop Printers

GK420t: GK42-1X2XXX-XXX (The "2" in the 8th digit is the key designator for R2.0 on all G-series)



Note: the printer base is only available through the Zebra Repair Depot.

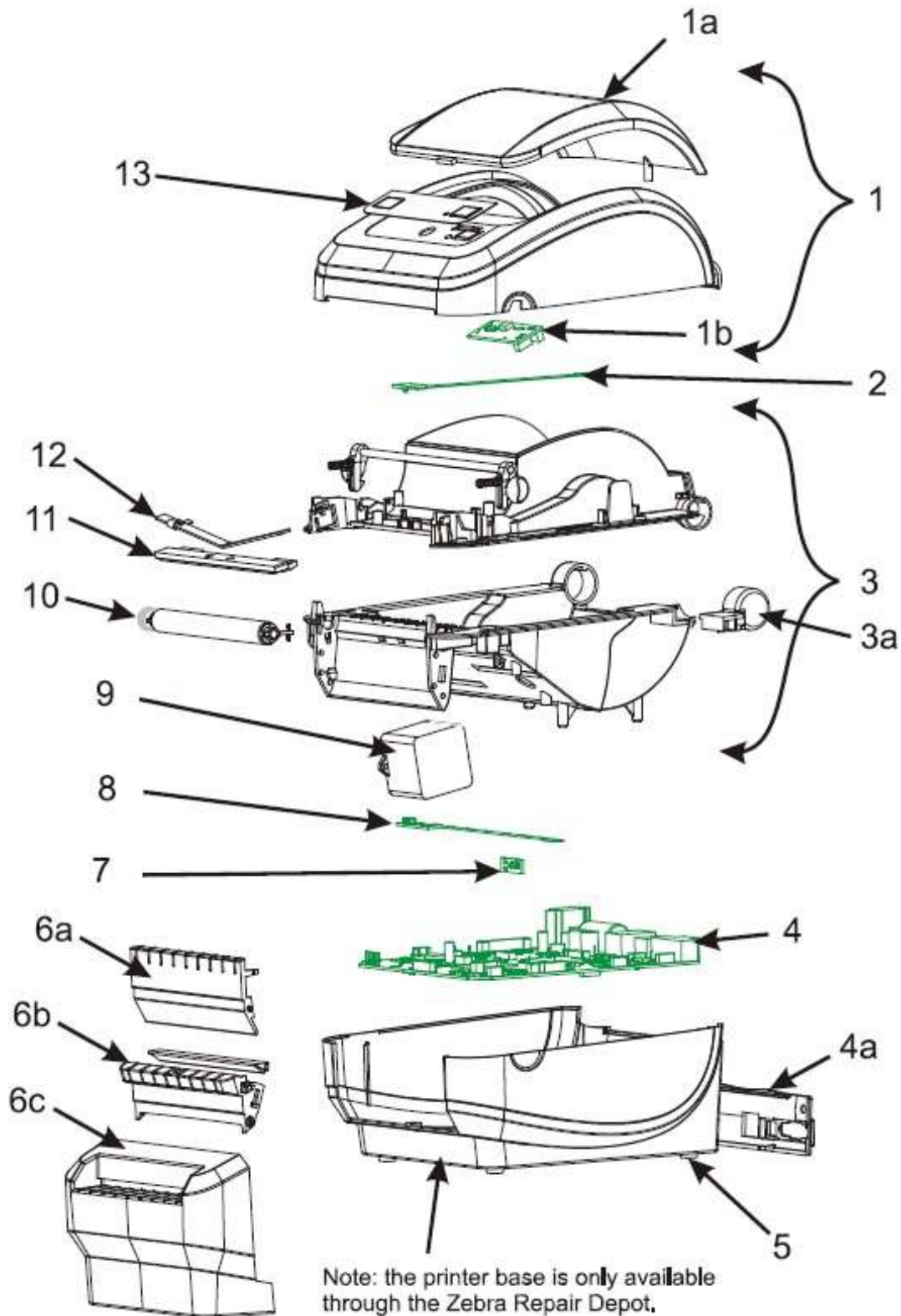
Spare Parts List Desktop Printers

GK420t: GK42-1X2XXX-XXX (The "2" in the 8th digit is the key designator for R2.0 on all G-series)

Item	Description	Part Number
1	Cover Assy (Thermal Transfer) (includes Media Window)	P1027135-050
1a	Media Window (Thermal Transfer)	105934-002
2	Feed Switch (Thermal Transfer)	105934-004
3	Ribbon Carriage, 203 dpi	P1027135-046
4	Upper Gap Sensor, Fixed (Thermal Transfer)	P1027135-003
5	Ribbon Out Sensor (Thermal Transfer)	P1027135-014
6	Prnt Mech Fxd Snsr,203(TT) inc Gap/Blkln Snsr, Motor, Pltn, Head Up Snsr	P1027135-007
6b	Gap/Blackline Sensor, Fixed (Thermal Transfer)	P1027135-013
6a	Head Up Sensor (Thermal Transfer)	105934-042
6c	Motor Assy., 203dpi (Thermal Transfer)	P1027135-043
6d	Platen, Std (Thermal Transfer)	P1027135-040
	Platen Bearings (Thermal Transfer)	105934-099
7	Cover Hinge Right and Left (Thermal Transfer)	105934-048
8	GK Main Logic Board, USB/Serial, ZBI	P1027135-015
8a	Back Panel, USB/Serial/Parallel (Thermal Transfer)	P1027135-020
8	GK Main Logic Board, USB/Ethernet, ZBI	P1027135-016
8a	Back Panel, USB/Ethernet (Thermal Transfer)	105934-075
	Interface Fuse, 1A	105934-076
9	Rubber Foot (set of 5)	105934-024
10a	Front Bezel, Std (Thermal Transfer)	105934-030
10b	Front Bezel, Dispenser (Thermal Transfer)	P1027135-045
11	Printhead, 203dpi (Thermal Transfer)	105934-038
12	Nameplate, GK420t (Thermal Transfer)	105934-061
Not Shown	Shipping Pack – Packaging for shipping the printer (Thermal Transfer)	105934-151
	Users CD-ROM	P1027135-049
	Power Supply, 60W C13 with US & Euro Cords	105934-053
	Power Cord, U.S. 120V IEC320C13 (set of 5)	105950-014
	Power Cord, Euro 220V IEC320C13 (set of 5)	105950-015
	Power Cord, U.K. 240V IEC320C13 (set of 5)	105950-030
	Power Cord, Australia 240V IEC320C13 (set of 5)	105950-029
	Power Cord,China 220V C13 (set of 5)	105950-078
	Power Cord, Japan 125V JAPAN C13 (set of 5)	105950-079
	Power Cord, 220V Argentina C13 (set of 5)	105950-080
	Power Cord,10A NBR 14136, Brazil (set of 5)	P1033401
	Ribbon Core, 4" thermal transfer (set of 50)	P1027135-048
	CD-ROM, Service, G-Series	105950-087

Spare Parts List Desktop Printers

GX420d: GX42-2X2XXX-XXX (The "2" in the 8th digit is the key designator for R2.0 on all G-series)



Spare Parts List Desktop Printers

GX420d: GX42-2X2XXX-XXX (The "2" in the 8th digit is the key designator for R2.0 on all G-series)

Item	Description	Part Number
1	Cover Assy (Direct Thermal) (includes Media Window)	105934-005
	Cover Assy w/cutter (Direct Thermal)	105934-108
	Cover Assy w/cutter, wireless (Direct Thermal)	105934-109
	LCD Cover Assy (Direct Thermal) (includes Media Window)	105934-049
1a	Media Window (Direct Thermal)	105934-001
1b	Feed Switch (Direct Thermal)	105934-003
	LCD Display/Feed Switch (with Bluetooth Wireless)	105934-056
	LCD Display/Feed Switch (with 802.11g Wireless)	105934-057
2	Upper Gap Sensor, Fixed (Direct Thermal)	P1027135-001
2	Upper Gap Sensor, Movable (Direct Thermal)	P1027135-002
3	Print Mech. Fxd Sensor (DT) (inc Hinge, PH Cables, Feed Switch Cable)	P1027135-005
3	Print Mech. Mvbl Snsr (DT) (inc Hinge, Prnt Head Cbls, Feed Swtch Cable)	P1027135-006
3a	Cover Hinge (Direct Thermal)	105934-047
4	GX Main Logic Board, USB/Serial/Parallel, ZBI	P1027135-017
4	GX Main Logic Board, USB/Serial/Parallel, 64MB, XMEM, RTC, ZBI	P1027135-018
4	GX MLB, USB/Serial/Parallel, 64MB, RTC, 203DPI, Liner Tag Cutter, ZBI	P1027135-035
4a	Back Panel, USB/Serial/Parallel (Direct Thermal)	P1027135-019
4	GX Main Logic Board, USB/Serial/Ethernet, ZBI	P1027135-021
4	GX Main Logic Board, USB/Serial/Ethernet, 64MB, RTC, 203DPI, ZBI	P1027135-036
4	GX MLB, USB/Serial/Ethernet, 64MB, RTC, 203DPI, Liner Tag Cutter, ZBI	P1027135-033
4a	Back Panel, USB/Serial/Ethernet (Direct Thermal)	105934-086
4	GX Main Logic Board, USB/Serial/Bluetooth 64MB, 203 dpi, ZBI	P1027135-038
4	GX MLB, USB/Serial/Bluetooth, 64MB, 203DPI, Liner Tag Cutter, ZBI	P1027135-031
4a	Back Panel, USB/Serial/Wireless (Direct Thermal)	105934-089
4	GX MLB USB, Serial, 802.11b/g Wireless, 64MB, 203DPI, RTC, CTR, ZBI, ZComax	P1040103-003
4	GX MLB USB, Serial, 802.11b/g Wireless, 64MB, 203DPI, RTC, ZBI, ZComax	P1040103-004
	Interface Fuse, 1A	105934-076
	Battery, 3V Lithium (set of 10)	G105950-003
5	Rubber Foot (set of 5)	105934-024
6a	Front Bezel, Std (Direct Thermal)	105934-025
6b	Front Bezel, Dispenser (Direct Thermal)	P1027135-044
6c	Light Duty Cutter (Direct Thermal)	105934-027
6c	Medium Duty Liner Free Cutter (Direct Thermal)	105934-055
6c	Medium Duty Full Cut Cutter (Direct Thermal)	105934-029
7	Head Up Sensor (Direct Thermal)	105934-041
8	Gap/Blackline Sensor, Fixed (Direct Thermal)	P1027135-011
8	Gap/Blackline Sensor, Moveable	P1027135-012
9	Motor Assy., 203dpi (Direct Thermal)	P1027135-041
10	Platen, Std (Direct Thermal)	P1027135-039
	Platen Bearings (Direct Thermal)	105934-059

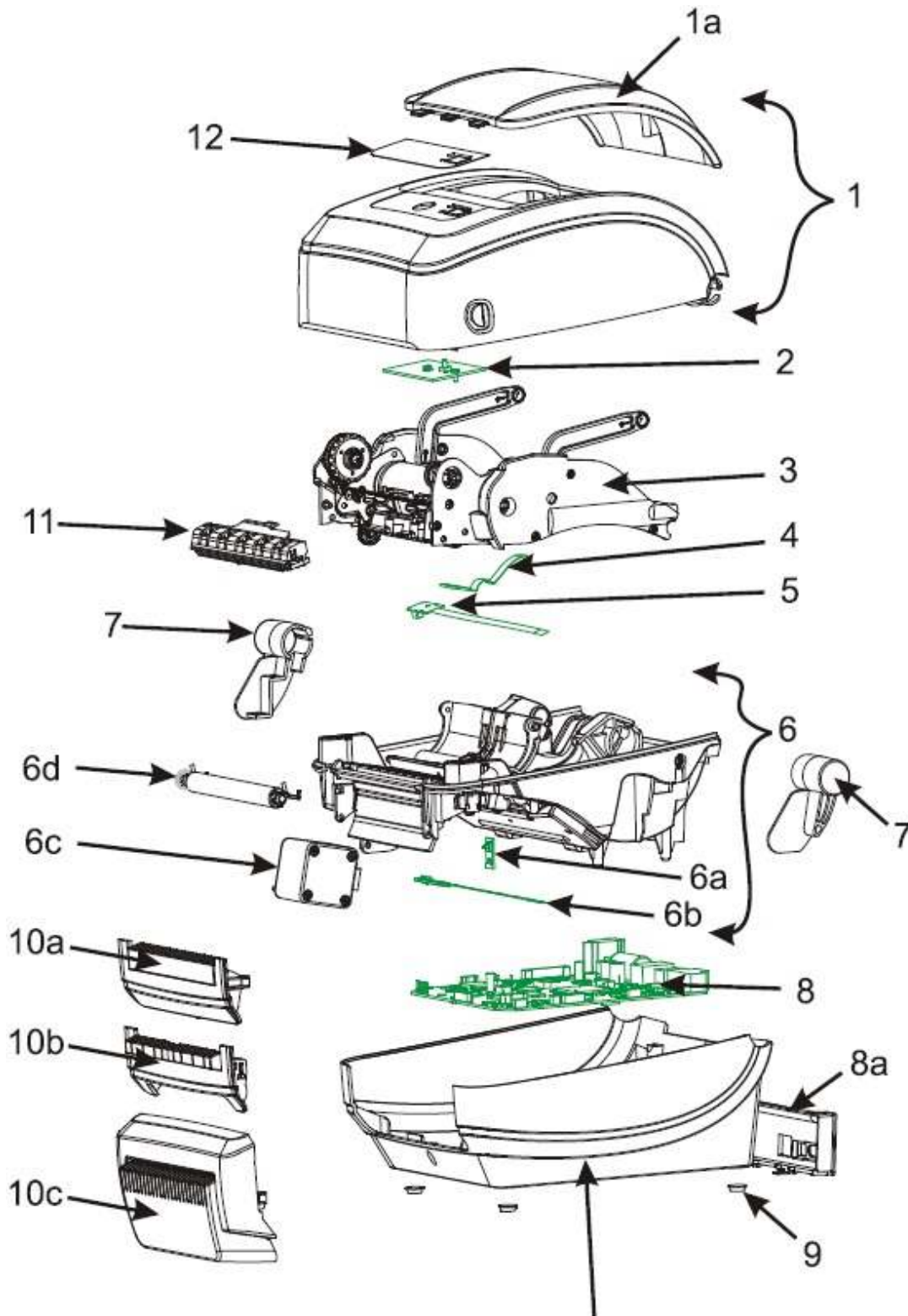
Spare Parts List Desktop Printers

GX420d: GX42-2X2XXX-XXX (The "2" in the 8th digit is the key designator for R2.0 on all G-series)

Item	Description	Part Number
11	Printhead, 203dpi (Direct Thermal)	105934-037
12	Printhead Spring/Clip (Direct Thermal)	105934-040
13	Nameplate, GX420d (Direct Thermal)	105934-062
	Nameplate, GX420d with LCD (Direct Thermal)	105934-067
Not Shown	Shipping Pack – Packaging for shipping the printer (Direct Thermal)	105934-150
	Users CD-ROM	P1027135-049
	Power Supply, 75W, C13, with US & Euro Cords	P1079903-026
	Power Cord, U.S. 120V IEC320C13 (set of 5)	105950-014
	Power Cord, Euro 220V IEC320C13 (set of 5)	105950-015
	Power Cord, U.K. 240V IEC320C13 (set of 5)	105950-030
	Power Cord, Australia 240V IEC320C13 (set of 5)	105950-029
	Power Cord, China 220V C13 (set of 5)	105950-078
	Power Cord, Japan 125V JAPAN C13 (set of 5)	105950-079
	Power Cord, 220V Argentina C13 (set of 5)	105950-080
	Power Cord, 10A NBR 14136, Brazil (set of 5)	P1033401
	CD-ROM, Service, G-Series	105950-087

Spare Parts List Desktop Printers

GX420t: GX42-1X2XXX-XXX (The "2" in the 8th digit is the key designator for R2.0 on all G-series)



Note: the printer base is only available through the Zebra Repair Depot.

Spare Parts List Desktop Printers

GX420t: GX42-1X2XXX-XXX (The "2" in the 8th digit is the key designator for R2.0 on all G-series)

Item	Description	Part Number
1	Cover Assy (Thermal Transfer) (includes Media Window)	P1027135-050
1a	Media Window (Thermal Transfer)	105934-002
2	Feed Switch (Thermal Transfer)	105934-004
	LCD Display/Feed Switch (with Bluetooth Wireless)	105934-056
	LCD Display/Feed Switch (with 802.11g Wireless)	105934-057
3	Ribbon Carriage, 203 dpi	P1027135-046
4	Upper Gap Sensor, Fixed (Thermal Transfer)	P1027135-003
	Upper Gap Sensor, Movable (Thermal Transfer)	P1027135-004
5	Ribbon Out Sensor (Thermal Transfer)	P1027135-014
6	Prnt Mech Fxd Snsr,203dpi(TT) inc Gap/Blckln Snsr, Motor, Pltn, Head Up Snsr	P1027135-007
6b	Gap/Blackline Sensor, Fixed (Thermal Transfer)	P1027135-013
6	PrintMech Mvbl Snsr,203dpi(TT)inc Gap/Blckln Snsr,Mtr,Pltn,HeadUp Snsr	P1027135-008
6b	Gap/Blackline Sensor, Moveable	P1027135-012
6a	Head Up Sensor (Thermal Transfer)	105934-042
6c	Motor Assy., 203dpi (Thermal Transfer)	P1027135-043
6d	Platen, Std (Thermal Transfer)	P1027135-040
	Platen Bearings (Thermal Transfer)	105934-099
7	Cover Hinge Right and Left (Thermal Transfer)	105934-048
8	GX Main Logic Board, USB/Serial/Parallel, ZBI	P1027135-017
8	GX Main Logic Board, USB/Serial/Parallel, 64MB, XMEM, RTC, ZBI	P1027135-018
8	GX MLB, USB/Serial/Parallel, 64MB, RTC, 203DPI,Liner Tag Cutter, ZBI	P1027135-035
8a	Back Panel, USB/Serial/Parallel (Thermal Transfer)	P1027135-020
8	GX Main Logic Board, USB/Serial/Ethernet, ZBI	P1027135-021
8	GX Main Logic Board, USB/Serial/Ethernet, 64MB, RTC, 203DPI, ZBI	P1027135-036
8	GX MLB, USB/Serial/Ethernet, 64MB, RTC,203DPI, Liner Tag Cutter, ZBI	P1027135-033
8a	Back Panel, USB/Serial/Ethernet (Thermal Transfer)	105934-087
8	GX Main Logic Board, USB/Serial/Bluetooth 64MB, 203 dpi, ZBI	P1027135-038
8	GX MLB, USB/Serial/Bluetooth 64MB, 200DPI,Liner Tag Cutter,ZBI	P1027135-031
8a	Back Panel, USB/Serial/Wireless (Thermal Transfer)	105934-090
8	GX MLB USB, Serial, 802.11b/g Wireless,64MB,203DPI,RTC,CTR,ZBI,ZComax	P1040103-003
8	GX MLB USB, Serial, 802.11b/g Wireless 64MB,203DPI,RTC,ZBI,ZComax	P1040103-004
	Interface Fuse, 1A	105934-076
	Battery, 3V Lithium (set of 10)	G105950-003

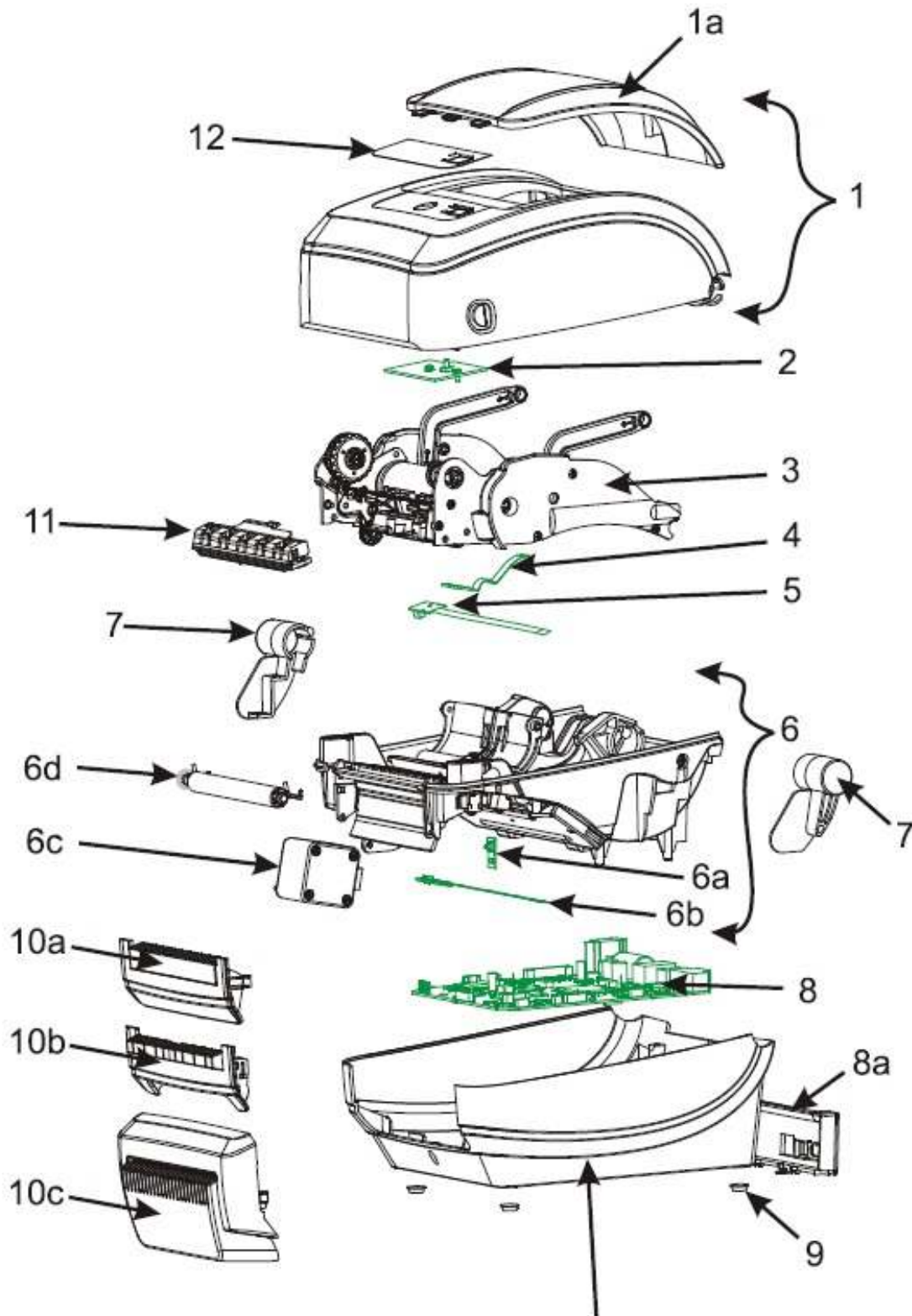
Spare Parts List Desktop Printers

GX420t: GX42-1X2XXX-XXX (The "2" in the 8th digit is the key designator for R2.0 on all G-series)

Item	Description	Part Number
9	Rubber Foot (set of 5)	105934-024
10a	Front Bezel, Std (Thermal Transfer)	105934-030
10b	Front Bezel, Dispenser (Thermal Transfer)	P1027135-045
10c	Light Duty Cutter (Thermal Transfer)	105934-032
10c	Med Duty Partial Cutter (Thermal Transfer)	105934-110
10c	Medium Duty Full Cut Cutter (Thermal Transfer)	105934-033
11	Printhead, 203dpi (Thermal Transfer)	105934-038
12	Nameplate, GX420t (Thermal Transfer)	105934-063
	Nameplate, GX420t with LCD (Thermal Transfer)	105934-068
Not Shown	Shipping Pack -Packaging for shipping the printer (Thermal Transfer)	105934-151
	Users CD-ROM	P1027135-049
	Power Supply, 75W, C13, with US & Euro Cords	P1079903-026
	Power Cord, U.S. 120V IEC320C13 (set of 5)	105950-014
	Power Cord, Euro 220V IEC320C13 (set of 5)	105950-015
	Power Cord, U.K. 240V IEC320C13 (set of 5)	105950-030
	Power Cord, Australia 240V IEC320C13 (set of 5)	105950-029
	Power Cord,China 220V C13 (set of 5)	105950-078
	Power Cord, Japan 125V JAPAN C13 (set of 5)	105950-079
	Power Cord, 220V Argentina C13 (set of 5)	105950-080
	Power Cord,10A NBR 14136, Brazil (set of 5)	P1033401
	Ribbon Core, 4" thermal transfer (set of 50)	P1027135-048
	CD-ROM, Service, G-Series	105950-087

Spare Parts List Desktop Printers

GX430t: GX43-1X2XXX-XXX (The "2" in the 8th digit is the key designator for R2.0 on all G-series)



Note: the printer base is only available through the Zebra Repair Depot.

Spare Parts List Desktop Printers

GX430t: GX43-1X2XXX-XXX (The "2" in the 8th digit is the key designator for R2.0 on all G-series)

Item	Description	Part Number
1	Cover Assy (Thermal Transfer) (includes Media Window)	P1027135-050
1a	Media Window (Thermal Transfer)	105934-002
2	Feed Switch (Thermal Transfer)	105934-004
	LCD Display/Feed Switch (with Bluetooth Wireless)	105934-056
	LCD Display/Feed Switch (with 802.11g Wireless)	105934-057
3	Ribbon Carriage, 300 dpi	P1027135-047
4	Upper Gap Sensor, Fixed (Thermal Transfer)	P1027135-003
	Upper Gap Sensor, Movable (Thermal Transfer)	P1027135-004
5	Ribbon Out Sensor (Thermal Transfer)	P1027135-014
6	PrntMech Fxd Snsr,300(TT) inc Gap/Blkln Snsr, Motor, Pltn, Head Up Snsr	P1027135-009
6b	Gap/Blackline Sensor, Fixed (Thermal Transfer)	P1027135-013
6	PrntMech Mvbl Snsr,300 dpi(TT)inc Gap/Blckln Snsr,Mtr,Pltn,HeadUp Snsr	P1027135-010
6b	Gap/Blackline Sensor, Moveable	P1027135-012
6a	Head Up Sensor (Thermal Transfer)	105934-042
6c	Motor Assy., 300dpi	P1027135-042
6d	Platen, Std (Thermal Transfer)	P1027135-040
	Platen Bearings (Thermal Transfer)	105934-099
7	Cover Hinge Right and Left (Thermal Transfer)	105934-048
8	GX Main Logic Board, USB/Serial/Parallel, 300DPI, ZBI	P1027135-022
8	GX Main Logic Board, USB/Serial/Parallel, 64MB, RTC, 300DPI, ZBI	P1027135-023
8	GX MLB, USB/Serial/Parallel, 64MB, RTC, 300DPI, Liner Tag Cutter, ZBI	P1027135-034
8a	Back Panel, USB/Serial/Parallel (Thermal Transfer)	P1027135-020
8	GX Main Logic Board, USB/Serial/Ethernet, 300DPI, ZBI	P1027135-024
8	GX Main Logic Board, USB/Serial/Ethernet, 64MB, RTC, 300DPI, ZBI	P1027135-025
8	GX MLB, USB/Serial/Ethernet, 64MB, RTC, 300DPI, Liner Tag Cutter, ZBI	P1027135-032
8a	Back Panel, USB/Serial/Ethernet (Thermal Transfer)	105934-087
8	GX Main Logic Board, USB/Serial/Bluetooth 64MB, 300DPI, ZBI	P1027135-027
8	GX MLB, USB/Serial/Bluetooth 64MB,300DPI,Liner Tag Cutter,ZBI	P1027135-030
8a	Back Panel, USB/Serial/Wireless (Thermal Transfer)	105934-090
8	GX MLB USB, Serial, 802.11b/g Wireless, 64MB,300DPI,RTC,ZBI,ZComax	P1040103-001
8	GX MLB USB, Serial, 802.11 b/g Wireless, 64MB,300DPI,RTC,CTR,ZBI,ZComax	P1040103-002
	Interface Fuse, 1A	105934-076
	Battery, 3V Lithium (set of 10)	G105950-003

Spare Parts List Desktop Printers

GX430t: GX43-1X2XXX-XXX (The "2" in the 8th digit is the key designator for R2.0 on all G-series)

Item	Description	Part Number
9	Rubber Foot (set of 5)	105934-024
10a	Front Bezel, Std (Thermal Transfer)	105934-030
10b	Front Bezel, Dispenser (Thermal Transfer)	P1027135-045
10c	Med Duty Partial Cutter (Thermal Transfer)	105934-110
10c	Light Duty Cutter (Thermal Transfer)	105934-032
10c	Medium Duty Full Cut Cutter (Thermal Transfer)	105934-033
11	Printhead, 300dpi (Thermal Transfer)	105934-039
12	Nameplate, GX430t (Thermal Transfer)	105934-064
	Nameplate, GX430t with LCD (Thermal Transfer)	105934-069
Not Shown	Shipping Pack – Packaging for shipping the printer (Thermal Transfer)	105934-151
	Users CD-ROM	P1027135-049
	Power Supply, 75W, C13, with US & Euro Cords	P1079903-026
	Power Cord, U.S. 120V IEC320C13 (set of 5)	105950-014
	Power Cord, Euro 220V IEC320C13 (set of 5)	105950-015
	Power Cord, U.K. 240V IEC320C13 (set of 5)	105950-030
	Power Cord, Australia 240V IEC320C13 (set of 5)	105950-029
	Power Cord,China 220V C13 (set of 5)	105950-078
	Power Cord, Japan 125V JAPAN C13 (set of 5)	105950-079
	Power Cord, 220V Argentina C13 (set of 5)	105950-080
	Power Cord,10A NBR 14136, Brazil (set of 5)	P1033401
	Ribbon Core, 4" thermal transfer (set of 50)	P1027135-048
	CD-ROM, Service, G-Series	105950-087